

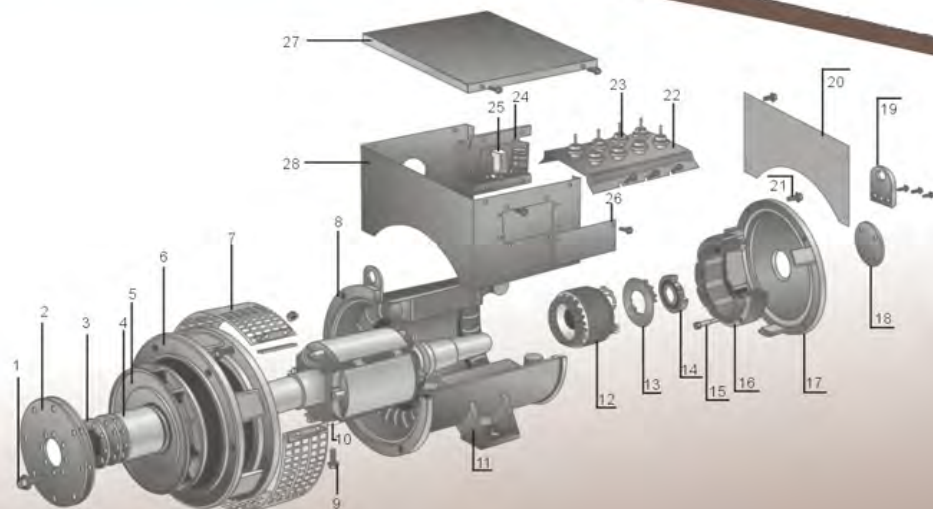


型号及功率MODEL & POWER

| 型号Model | 额定功率 Power(1500rpm/50Hz)400V | | 额定功率 Power(1800rpm/60Hz)440V | |
|---------|------------------------------|------|------------------------------|------|
| | KW | KVA | KW | KVA |
| SSG164A | 6.5 | 8.1 | 8.2 | 10.2 |
| SSG164B | 8.8 | 11.0 | 11 | 13.8 |
| SSG164C | 10.8 | 13.5 | 13.5 | 16.9 |
| SSG164D | 12.8 | 16 | 16.0 | 20.0 |
| SSG184E | 18 | 22.5 | 23.0 | 28.8 |
| SSG184F | 22 | 27.5 | 27.5 | 34.4 |
| SSG184G | 25 | 31.3 | 30 | 37.5 |
| SSG184H | 30 | 37.5 | 37.5 | 46.9 |
| SSG184J | 32 | 40 | 40 | 50 |
| SSG224C | 34 | 42.5 | 42 | 52.5 |
| SSG224D | 40 | 50 | 50 | 62.5 |
| SSG224E | 48 | 60 | 56 | 70 |
| SSG224F | 58 | 72.5 | 70 | 87.5 |
| SSG224G | 68 | 85 | 78 | 97.5 |
| SSG274C | 80 | 100 | 94 | 118 |
| SSG274D | 91 | 106 | 110 | 138 |
| SSG274E | 112 | 140 | 134 | 168 |
| SSG274F | 128 | 160 | 152 | 190 |
| SSG274G | 141 | 170 | 170 | 213 |
| SSG274H | 160 | 200 | 196 | 245 |
| SSG314C | 200 | 250 | 235 | 294 |
| SSG314D | 236 | 295 | 280 | 350 |
| SSG314E | 260 | 325 | 315 | 394 |
| SSG314F | 304 | 380 | 365 | 456 |



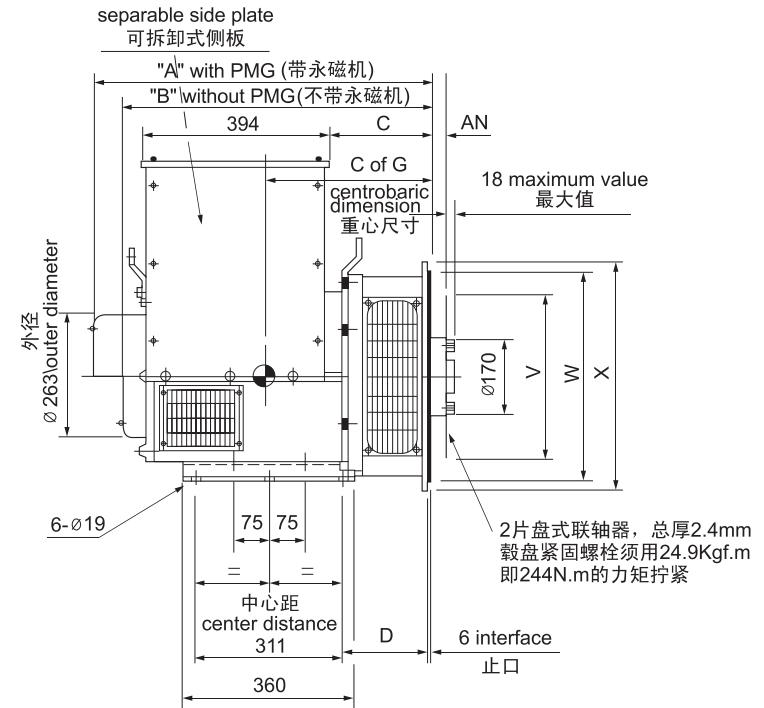
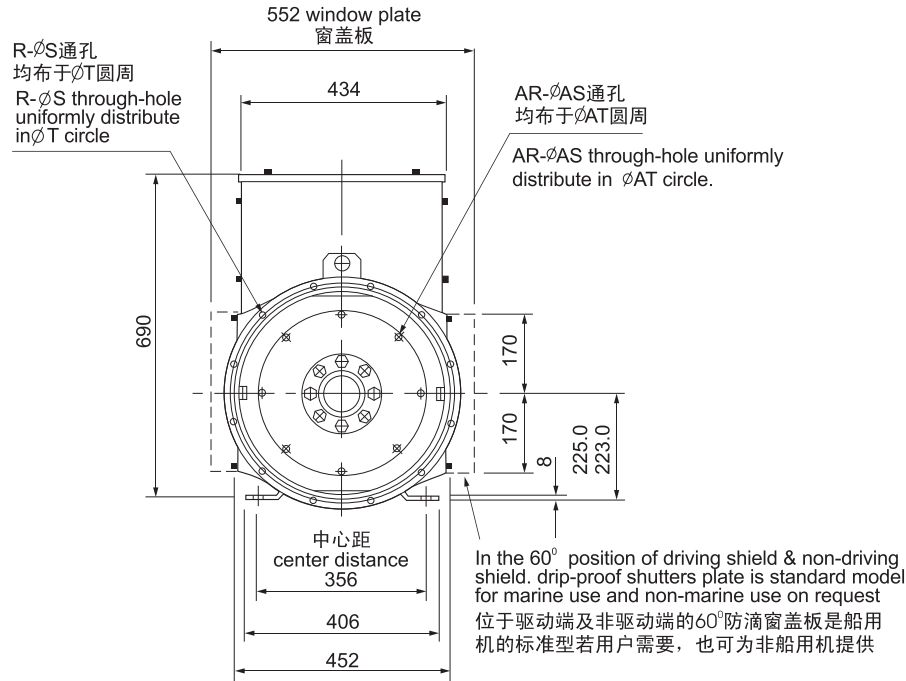
SSG 224 Brushless Synchronous AC Alternators



- 01. BOLT
- 02. FLEX PLATE
- 03. DRIVE PLATE
- 04. FLEXOR
- 05. FAN
- 06. FRONT COVER
- 07. COVERING PLATE
- 08. STATOR WITH WINDING
- 09. BOLT
- 10. ROTOR WITH SHAFT

- 11. EARTHING TERMINAL
- 12. EXCITATING ROTOR
- 13. ROTARY RECTIFIER
- 14. BEARING
- 15. EXCITATING STATOR BOLT
- 16. EXCITATING STATOR
- 17. BACK SHIELD
- 18. BEARING COVER
- 19. EYEBOLT
- 20. TERMINAL BOX-END PLATE

- 21. BOLT
- 22. TERMINAL BOARD
- 23. TERMINAL POLE
- 24. AVR FRAME
- 25. AVR
- 26. TERMINAL BOX-SIDE PLATE
- 27. TERMINAL BOX-TOP COVER
- 28. TERMINAL BOX-FRONT PLATE



DIMENSION 尺寸 (mm)

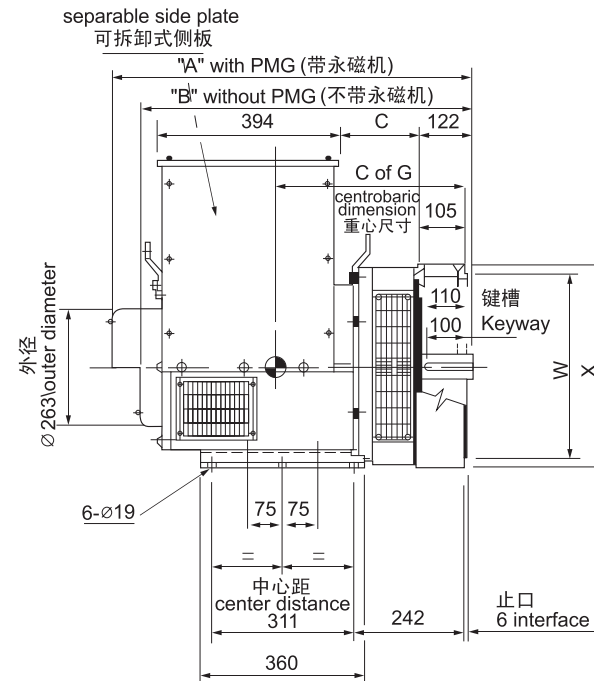
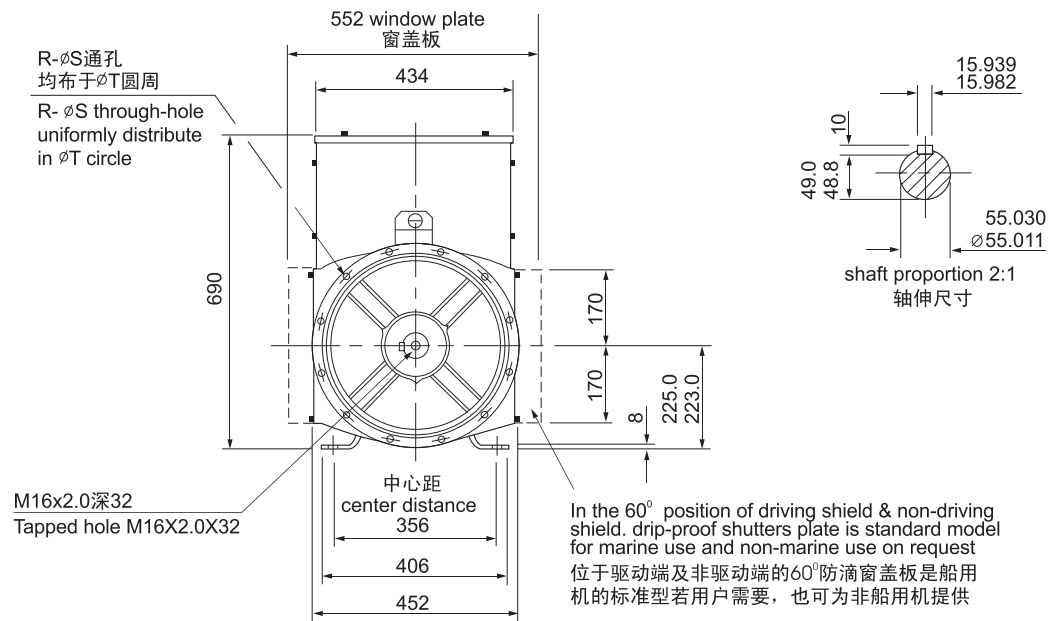
| | DIMENSION 尺寸 (mm) | | | | |
|--------|-------------------|-------|-------|-------|-------|
| | 型号 Model | A | B | C | Cof G |
| SAE1 | SKG 224C | 724.3 | 661.3 | 224.3 | 323 |
| | SKG 224D | 724.3 | 661.3 | 224.3 | 333 |
| | SKG 224E | 814.3 | 751.3 | 314.3 | 348 |
| | SKG 224F | 814.3 | 751.3 | 314.3 | 358 |
| | SKG 224G | 859.3 | 796.3 | 359.3 | 373 |
| SAE2&3 | SKG 224C | 710 | 647 | 210 | 311 |
| | SKG 224D | 710 | 647 | 210 | 321 |
| | SKG 224E | 800 | 737 | 300 | 336 |
| | SKG 224F | 800 | 737 | 300 | 346 |
| | SKG 224G | 845 | 782 | 345 | 361 |

DISC COUPLING 盘片式联轴器 (mm)

| S.A.E.NO. | AN | AR | AS | AT | V |
|-----------|-------|----|------|-------|-------|
| 8 | 61.9 | 6 | 10.3 | 244.4 | 263.4 |
| 10 | 53.98 | 8 | 10.3 | 295.3 | 314.2 |
| 11.5 | 39.68 | 8 | 10.3 | 333.3 | 352.3 |
| 14 | 25.40 | 8 | 13.5 | 438.2 | 466.6 |

FLANGE 法兰式过渡接套 (mm)

| S.A.E.NO. | D | R | S | T | W | X |
|-----------|-------|----|------|-------|-------|-----|
| 1 | 191.3 | 12 | 12.7 | 530.2 | 511.1 | 553 |
| 2 | 177 | 12 | 11 | 466.7 | 447.6 | 490 |
| 3 | 177 | 12 | 11 | 428.6 | 409.5 | 451 |
| 4 | 177 | 12 | 11 | 381.0 | 361.9 | 453 |



DIMENSION 尺寸 (mm)

| 型号 Model | A | B | C | Cof G |
|----------|-----|-----|-----|-------|
| SKG 224C | 792 | 729 | 170 | 368 |
| SKG 224D | 792 | 729 | 170 | 378 |
| SKG 224E | 882 | 819 | 260 | 393 |
| SKG 224F | 882 | 819 | 260 | 403 |
| SKG 224G | 972 | 864 | 864 | 418 |

TRANSPORTATION DATA 运输数据

| 型号 Model | N.W(kg) | G.W(kg) | LXWXH(cm) |
|----------|---------|---------|-----------|
| SKG 224C | 250 | 275 | 108X66X94 |
| SKG 224D | 270 | 295 | 108X66X94 |
| SKG 224E | 290 | 315 | 108X66X94 |
| SKG 224F | 320 | 345 | 108X66X94 |
| SKG 224G | 360 | 385 | 108X66X94 |

FLANGE 法兰式过渡接套 (mm)

| S.A.E.NO. | R | S | T | W | X |
|-----------|----|------|-------|--------|-----|
| 1 | 12 | 12.7 | 530.2 | 511.17 | 553 |
| 2 | 12 | 11 | 466.7 | 447.6 | 495 |
| 3 | 12 | 11 | 428.6 | 409.5 | 451 |
| 4 | 12 | 11 | 381.0 | 361.9 | 403 |
| 5 | 8 | 11 | 333.3 | 314.3 | 356 |

TRANSPORTATION DATA 运输数据

| 型号 Model | N.W(kg) | G.W(kg) | LXWXH(cm) |
|----------|---------|---------|-----------|
| SKG 224C | 235 | 255 | 108X66X94 |
| SKG 224D | 250 | 270 | 108X66X94 |
| SKG 224E | 270 | 290 | 108X66X94 |
| SKG 224F | 310 | 330 | 108X66X94 |
| SKG 224G | 350 | 370 | 108X66X94 |